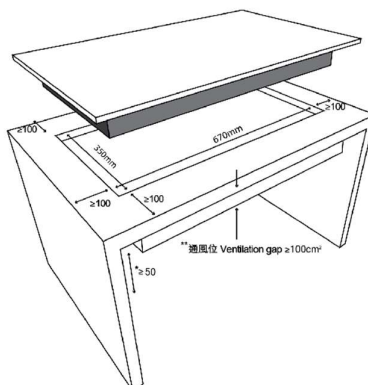




Learn More

EC-2989 750mm 2 in 1 Electrical Cooker

Design	◦ France EuroKera ceramic glass top	◦ Facetted glass edge for 4 sides
	◦ High quality German EGO radiant heating elements	
Features	◦ Stylish sensor touch control	◦ Cooker timer
	◦ touchSlider control	◦ Triple-ring heat system (Infrared cooking zone)
	◦ Half-Bridge Power Research Solution (Induction cooking zone)	
	◦ Duel-function electrical cooker (Induction & Infrared)	
	◦ Apply for all kinds of flat bottom cookware (Infrared cooking zone)	
	◦ Universal dimension for replacement of your existing hob	
Safety Function	◦ Safety lock	◦ 2-hours not in use auto shut-down
	◦ Cookware sensor (Induction zone)	◦ Overheat prevention (Induction zone)
	◦ Residual heat indicator (Infrared zone)	◦ Auto-temperature adjustment (Infrared zone)
Specification		
Total Power Output :	2800W	
Cooking Zone Max. Power Output :	2800W (Induction cooking zone)	2300W (Infrared cooking zone)
Product Dimension (W x D x H) :	750 x 450 x 65 mm	
Cut Out Dimension (W x D) :	670 x 350 mm	



(Note: Height should be more than 100mm)

Cut out dimensions(unit/mm)(W) 670 x (D) 350 x (H) 100

*If the installation hole on the work table is a new open, it is recommended a depth to 370mm and put the cooker into the hole at front side to have a good ventilation.



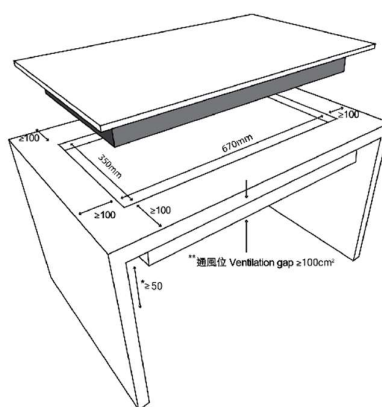
Kera Black



Kera White

EC-2989 750 毫米雙頭 2 合 1 電能煮食爐

設計	◦ 法國 EuroKera 優質耐熱陶瓷玻璃面板	◦ 德國 EGO 發熱爐盤
特點	◦ 4 面超薄斜邊設計	
	◦ 輕觸式感應操控	◦ 靈活底盤設計
	◦ 預校時間功能	◦ 智能三環火力調節 (電陶煮煮區)
	◦ 電磁+ 電陶一機兩用	◦ 適合任何平底鍋具 (電陶煮煮區)
	◦ touchSlider 輕觸滑動操控	
	◦ Half-Bridge Power Research Solution (半橋火力精研方案) (電磁煮煮區)	
安全功能	◦ 安全鎖	◦ 2 小時靜止操作
	◦ 鍋具檢知功能 (電磁煮煮區)	◦ 過熱保護裝置 (電磁煮煮區)
	◦ 餘溫警告提示 (電陶煮煮區)	◦ 自動調溫功能 (電陶煮煮區)
技術資料		
總火力輸出：	2800 瓦	
煮食區最高火力輸出：	2800 瓦 (電陶煮煮區)	2300 瓦 (電磁煮煮區)
產品尺寸(闊 x 深 x 高)：	750 x 450 x 65 毫米	
開孔尺寸(闊 x 深)：	670 x 350 毫米	



(注意：高度距離枱面需超過 100mm)。

開孔尺寸(單位/mm)：(闊) 670 x (深) 350 x (高) 100

* 如屬新枱面開孔，開孔深度可開至 370 毫米，並將電磁爐緊貼枱面前方放進孔內以預留背部較多散熱空間