



嵌入式氣體煮食爐
Built-in Gas Hob

型號/Model : GC-7188

使用說明書
User Manual

目錄

一、	注意事項-----	2
二、	產品結構-----	3
三、	安裝說明-----	4-6
	I. 房間內通風環境-----	4
	II. 氣體接駁-----	5
	III. 櫃面開孔尺寸-----	5
	IV. 爐頭環，爐蓋及爐架之正確放置-----	6
四、	操作說明-----	7
五、	更換電池-----	7
六、	日常保養注意事項-----	8
七、	產品規格-----	8
八、	常見故障及處理-----	9

一、注意事項

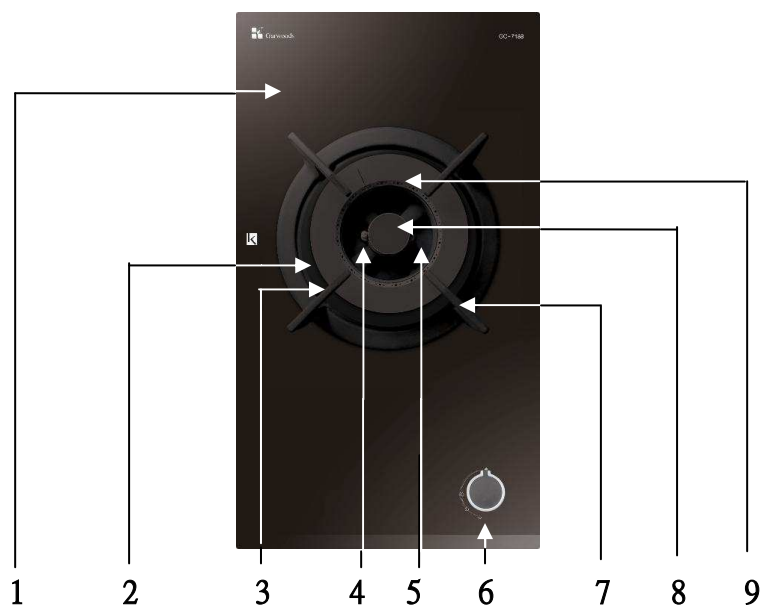
重要說明

- 產品使用前，請細閱本使用說明書，並妥善保存，以作將來參考之用。
- 本產品只供一般家居使用，請參閱本使用說明書的安裝及操作指示。
- **注意！** 根據香港氣體安全條例，任何氣體裝置工程，包括爐具和接駁喉管的安裝，必須由註冊氣體裝置技工執行，而該技工已於相關的氣體工程類別註冊及受聘於註冊氣體工程承辦商。

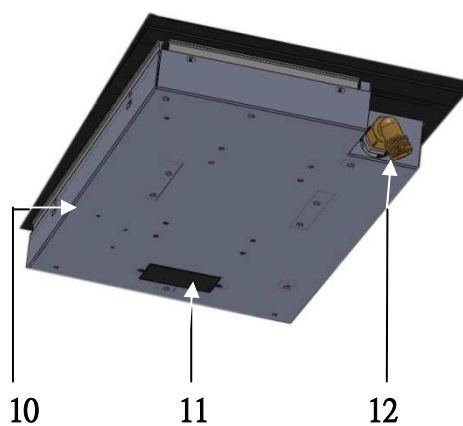
- 1) 本產品必須由註冊氣體裝置技工安裝。
- 2) 請確保本產品使用範圍內通風良好，避免室內缺氧。
- 3) 當在灶櫃面安裝嵌入式氣體煮食爐時，灶櫃應設有透氣設施，以確保煮食爐在使用時操作正常。
- 4) 不應將易燃物料，噴霧及壓縮容器放置在灶櫃內。
- 5) 於長時間使用時，應將窗戶打開或啟動抽風設備，例如、抽油煙機或抽氣扇，以確保室內空氣流通。
- 6) 如發現漏氣，應立即關閉煮食爐及燃氣來源開關，打開窗戶及通知代理商委派註冊氣體裝置技工進行檢查及維修，切勿開關電源或電燈。
- 7) 煮食爐使用後，應檢查所有控制鍵是否扭回關閉位置。
- 8) 如爐火在使用過程中意外地吹熄，安全閥會自動切斷氣源，於一分鐘後才可重新點火。
- 9) 使用煮食爐時，請勿使用噴霧劑及壓縮氣體，以免發生危險。
- 10) 當點火後檢查爐火是否正常，拿走煮食器皿前，應先把爐火調細或關閉。
- 11) 請勿放置任何吸熱墊等物品於爐架與煮食器皿之間，避免對煮食爐造成嚴重損壞。
- 12) 請勿使用過大或過重的煮食器皿壓於爐架上，避免對煮食爐造成嚴重損壞。煮食器皿底部直徑必須在 260 毫米以下及重量不應超過 5 千克。
- 13) 煮食器皿應放置在爐架中央位置，避免傾倒。
- 14) 時刻讓小朋友遠離煮食爐。

二、產品結構

正面



背面



1. 玻璃面板	5. 火安全裝置	9. 外爐頭環
2. 水盤	6. 開關旋鈕	10. 底盤
3. 爐頭座	7. 爐架	11. 電池盒
4. 點火針	8. 內爐頭環	12. 進氣接管

三、安裝說明

重要說明

- 注意！根據香港氣體安全條例，任何氣體裝置工程，包括爐具和接駁喉管的安裝，必須由註冊氣體裝置技工執行，而該技工已於相關的氣體工程類別註冊及受聘於註冊氣體工程承辦商。
- 爐具的進氣運作氣壓：香港煤氣 1.5 千帕
- 安裝本產品前，應量度氣壓才進行接駁。
- 如接駁氣壓與本產品所標示的不相符，將會嚴重影響本產品運作及導致損壞。
- 使用煮食爐時會產生熱氣及濕氣，廚房必須保持空氣流通。可開啟自然風窗口或安裝抽氣或排氣裝置。長時間不斷使用煮食爐，需提供額外的通風設備，如手開窗戶或使用有效的通風裝置。
- 如要安裝煮食爐在易燃物料附近(如木牆，木架)，兩側須距離玻璃面最少100毫米(4英吋) 以上，煮食爐的安裝位置應與周圍易燃物料保持距離玻璃面最少100毫米以上。
- 煮食爐底部高度距離至少預留100毫米(約4英吋)，以確保有足夠的通風。

I、房間內通風環境

保持正常氣體燃燒及房間通道所需之空氣量，體積必須不少於 20 立方米。空氣應自然流通房間內的固定窗戶或通風口。窗戶或通風口面積最少為 100 平方厘米，並確保不被阻塞。通風系統須符合有關法例。亦可接受從隔鄰房間抽取空氣的間接通風系統。

II、氣體接駁

重要說明

- 注意！根據香港氣體安全條例，任何氣體裝置工程，包括爐具和接駁喉管的安裝，必須由註冊氣體裝置技工執行，而該技工已於相關的氣體工程類別註冊及受聘於註冊氣體工程承辦商。
- 安裝前先查閱煮食爐底部標籤上所列出的規格是否符合與安裝地點的氣體類別及操作壓力互相符合。氣體接駁必須符合有關法例。入氣咀的直徑為 $\frac{1}{2}$ 吋。

使用認可印有機電工程署批准標記(例如：機電工程署批准 EMSD APPROVAL GTXXXX) 的氣體接駁喉管連接爐具，或使用機電工程署接納的其他恰當方法。

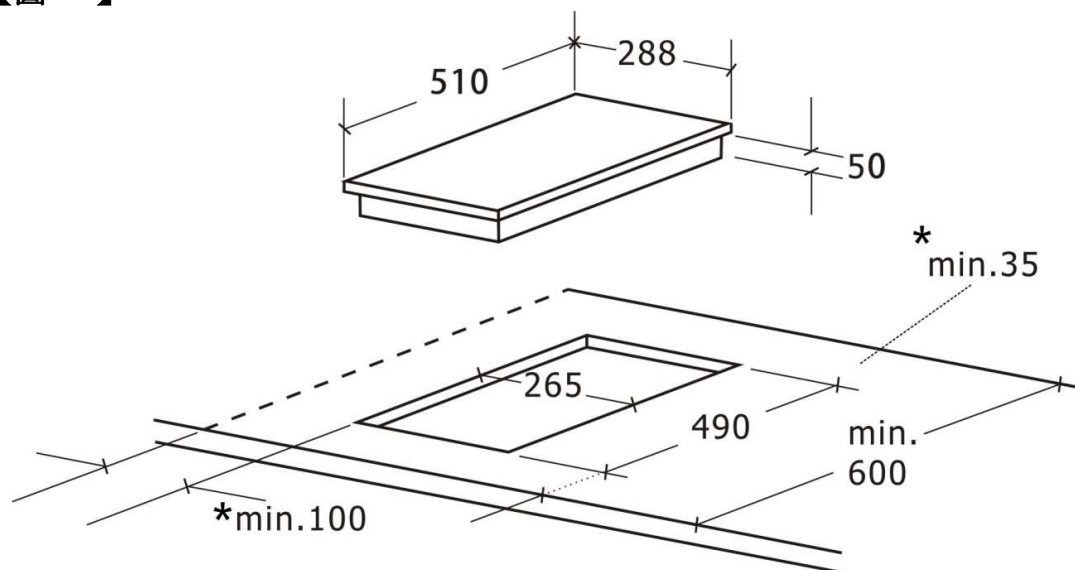
III、櫃面開孔尺寸

在安裝煮食爐的廚櫃枱上按照【圖一】尺寸開一安裝孔

- (注意： 1、煮食爐底盤下需預留最少100毫米高度距離及
2、*由玻璃面至牆身最少預留的空間距離。)

開孔尺寸(單位/毫米)：(闊) 265 x (深) 490

【圖一】

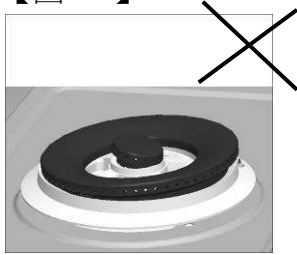


IV、爐頭環，爐蓋及爐架之正確放置

爐頭環，爐蓋及爐架不正確地放置，可能會引起燃燒不良，爐頭環損壞，玻璃面板爆裂或其他意外。



- 1) 爐頭環及爐蓋必須正確放置，不可傾斜如【圖 二】。

【圖 二】

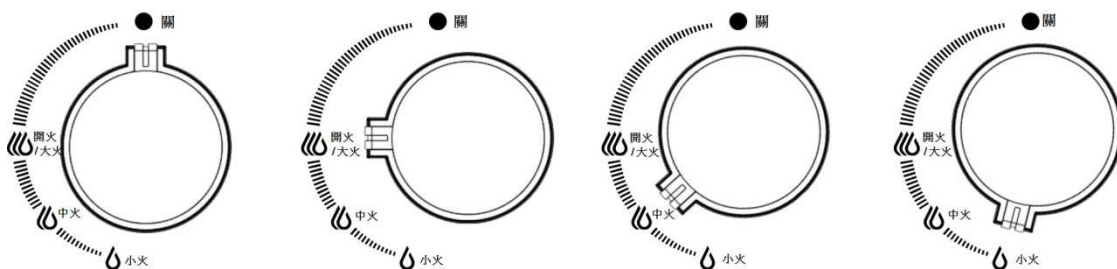


- 2) 爐架按水盤上對應的凹位位置擺放，以確保爐架擺放正確。

四、操作說明

- 1) 按住煮食爐開關旋鈕向左方(開火方向)慢慢地旋轉，隨著「啪啪」的聲響，火花將點燃燃燒器。在確認燃燒器被點燃後數秒鐘(安全裝置啟動為止)之內，請保持原位置。若中途放手，可能會點不著火。
- 2) 將手放開煮食爐開關旋鈕而爐火仍未點著時，請用同樣方法再次操作，將手慢慢地放開。
- 3) 轉動煮食爐開關旋鈕，調節爐火至所需火力。爐火大小可於「」及「」之間位置調節。請緩慢轉動旋鈕調節【圖三】。

【圖三】



- 4) 如爐火熄滅，防漏熄火安全裝置會自動切斷燃氣供應，如有此情況，請將煮食爐開關旋鈕轉至「關」的位置。
- 5) 將煮食爐開關旋鈕轉回至「關」的位置，爐火便會熄滅。

五、更換電池

如遇點火(啪啪)聲音變得低沉或點燃後立即熄滅，可能電池沒有電及需更換電池。在更換過程中，請小心不要把電池的正、負極弄錯。

六、日常保養注意事項

- 1) 此煮食爐的面板是用陶瓷玻璃製造，較一般玻璃安全。唯使用玻璃面板煮食爐時還須注意以下事項，以避免玻璃面板爆裂：
 - 經常清潔爐頭組件以保持火蓋焰孔暢通，如滾瀉食物汁液，應在爐頭組件冷卻後儘快作出妥善清理。
 - 如煮食爐出現不尋常聲音，應即停用並安排氣體供應公司或爐具進口商檢查。
 - 切勿使用過大的器皿煮食，煮食器皿底部直徑必須在 260 毫米以下及重量不應超過 5 千克。
 - 切勿以硬物撞擊或將重物放置於玻璃面板。
- 2) 當爐具尚熱時，請勿進行清洗。
- 3) 應使用柔軟的濕布及中性清潔劑輕抹面板部份。
- 4) 用暖水及清潔劑清潔爐頭。

七、產品規格

產品型號	GC-7188
產品名稱	嵌入式氣體煮食爐
產品尺寸(毫米)	(闊) 288 x (深) 510 x (高) 50
安全裝置	有
氣體類型	香港煤氣
額定熱負荷 (千瓦)	5.5
操作氣壓 (千帕)	1.5
點火方式	自動電子點火
電源供應	DC 1.5V (D 型乾電池 1 粒)

八、常見故障及處理

爐具工作中出現的一些現象並不意味有故障，請先按以下說明檢查。

現象	可能原因	解決方式
點火不著	1. 點火極濕 (尤其在潮濕季節) 2. 氣體來源開關未打開 3. 電池已耗盡 4. 電池未裝好	1. 用紙巾或乾布抹乾點火電極 2. 檢查及打開來源開關 3. 更換電池 4. 檢查電池的正、負極是否弄錯
爐頭沒有火焰	仍未開啟燃氣表控制閥及/或爐具切斷閥。	完全開啟燃氣表控制閥及/或爐具切斷閥。
不能保持火焰	不正確轉動開關旋鈕	按壓開關旋鈕及旋轉至「開火」位置，直至聽到「啪啪」聲。當爐火點著時放手。
發現有氣體異味	1. 喉管破裂或未裝好 2. 閥體漏氣	1. 聯絡代理商或註冊氣體裝置技工更換或重新接駁喉管 2. 聯絡代理商或註冊氣體裝置技工更換閥體
黃火或紅火	爐頭積聚油漬及污垢	以暖水和稀釋中性清潔劑清洗爐頭，然後抹乾並放好
火焰不穩定	爐頭未放好	重新放好爐頭

警告：如按以上方法仍無法點火，請即致電代理商作維修服務及切勿使用其他方法點火。

CONTENTS

A 、 Notice Before Use-----	11-12
B 、 Product Structure-----	13
C 、 Installation Instructions-----	14-16
I. Room Ventilation-----	15
II. Gas Connection-----	15
III. Cut-out Dimensions-----	16
IV. Correct Position of Burner Ring, Cap & Trivet-----	16
D 、 Operating Instructions-----	17
E 、 Replace Battery-----	17
F 、 Daily Maintenance-----	18
G 、 Product Specification-----	18
H 、 Trouble Shooting-----	19

A · Notice Before Use

Important

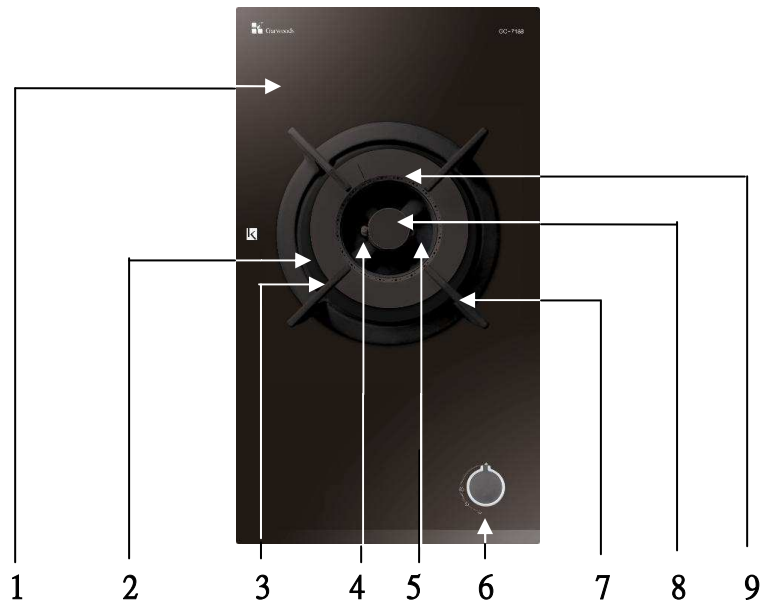
- Read the user manual carefully before using the product and save it for future reference.
- This product is designed for domestic use only, please read the installation and operating instructions in according to the user manual.
- **Attention !** According to the Gas Safety Ordinance of Hong Kong, any gas installation works including the installation of appliances and connection tubing, must be undertaken by registered gas installers who are registered for that appropriate classes and be employed by registered gas contractors.

- 1) This product must be installed by registered gas installers.
- 2) Ensure that this product is used with good ventilation. Environment with insufficient oxygen should be avoided.
- 3) When installing built-in gas hob on top of stove cabinet, please check that there is provision for ventilation at the cabinet to ensure proper operation of the gas hob.
- 4) Do not store any flammable materials, sprays or pressurized containers inside the stove cabinet.
- 5) During long period of use, open window or using exhaust equipments, e.g. range hood or exhaust fan so as to ensure good ventilation.
- 6) In case of gas leakage, turn off the gas hob and the gas main valve, ventilate the room immediately by opening window. Then, contact the sole agent to send registered gas installers for inspection. Do not turn on or off any power supply or lights.
- 7) Ensure that all control knobs have been checked and set to 'off' position after use.
- 8) If the flame is blown out during use, the safety valve will cut off gas supply. Ignite again after at least one minute.
- 9) Do not use spray or compressed gas when the gas hob is in use in order to avoid hazard.
- 10) After ignition, check if the flame is even and normal. Before removing utensil away from the flame, always set to small flame or 'off' position.
- 11) Do not place any hot mat between the trivet and the utensil in order to avoid damage to the gas hob.

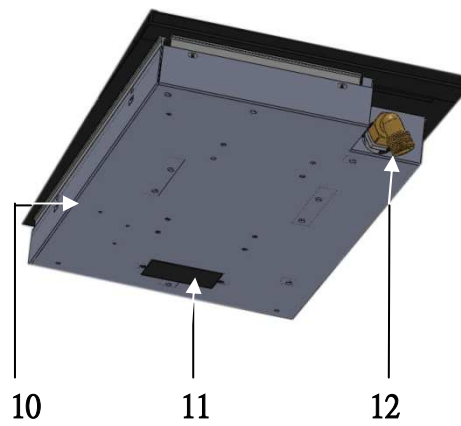
- 12) Do not use over-size or over-weight utensil in order to avoid damage to the gas hob. The bottom diameter of the utensil is less than 260 mm and weight is not over 5 kg.
- 13) Place the utensils steadily on the trivet. Do not tilt the utensil.
- 14) Always keep children away from the gas hob.

B 、 Product Structure

Front Side



Back Side



1. Glass Panel	5. Flame Failure Device	9. Outer Burner Ring
2. Drip Plate	6. Control Knob	10. Base Tray
3. Burner Base	7. Trivet	11. Battery Box
4. Sparker	8. Inner Burner Button	12. Gas Inlet

C 、 Installation Instructions

Important :

- According to the Gas Safety Ordinance of Hong Kong, any gas installation works including the installation of appliances and connection tubing, must be undertaken by registered gas installers who are registered for that appropriate classes and be employed by registered gas contractors.
- The inlet gas supply working pressure to the gas hob must be: HK Town gas **1.5k Pa**
- Pressure must be accurately measured before the gas hob is connected.
- If non-compatible pressure are connected to the gas hob. It will affect the performance of the unit and /or pose risk of damage.
- The use of a gas hob produces heat and moisture, so it is essential to ensure that the kitchen is well ventilated. Keep natural ventilation windows open or install a mechanical ventilation device (mechanical extractor hood). Prolonged intensive use of the gas hob may call for additional ventilation, for example, opening windows or increasing the level of mechanical ventilation where present.
- If the gas hob is to be installed close to combustible surroundings (such as wooden walls, wooden shelves). It should be installed at least 100mm (approx.4 inch) from the glass edges to side walls. The gas hob should be installed with a distance of at least 100mm from the glass edges to surrounding combustible materials.
- There should be at least 100mm (approx.4 inch.) distance from the bottom of the base tray of gas hob in order to keep a good ventilation condition.

I ․ Room Ventilation

Give the kitchen the amount of air required for regular gas combustion and for the room to keep well-ventilated – the volume of which must not be less than 20m³. Air must naturally flow through permanent opening in the walls of the room. These openings must vent the fumes outdoors and their section must be at least 100cm², and ensure that they may never be blocked. Indirect ventilation by air drawn from an adjacent room is also permitted, in strict compliance with any local regulation in force.

II ․ Gas Connection

Important :

- According to the Gas Safety Ordinance of Hong Kong, any gas installation works including the installation of appliances and connection tubing, must be undertaken by registered gas installers who are registered for that appropriate classes and be employed by registered gas contractors.
- Before connecting the appliances, check that the specifications on the data label affixed to the underside of the gas hob correspond to those of the type of gas and working pressure. Gas connection must comply with the pertinent standards and provisions in force. The size of the gas inlet is ½ inch.

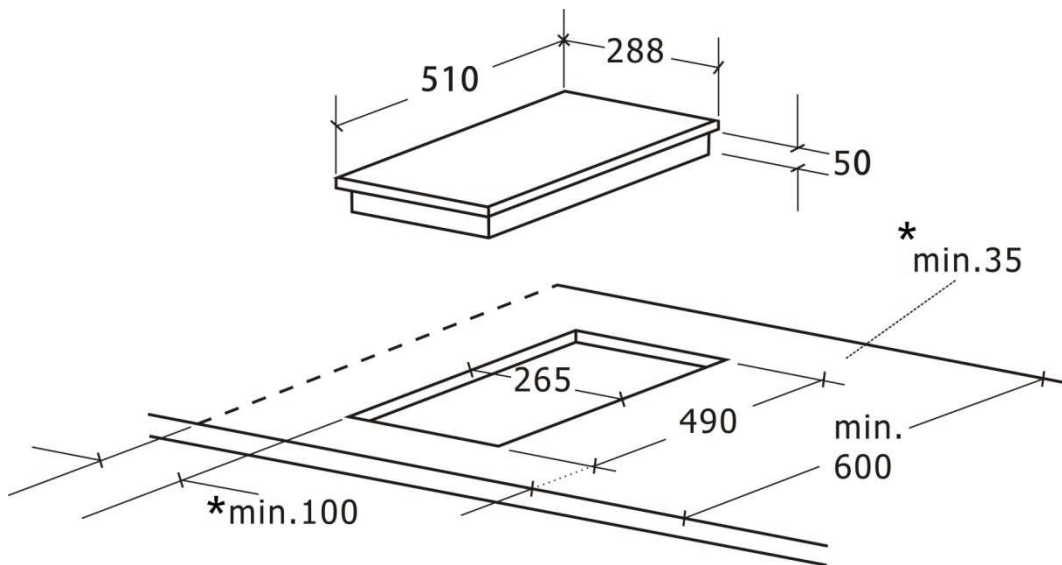
Use approved gas tubing bearing EMSD approval marking (such as : 機電工程署 批准 EMSD APPROVAL GTXXXX) for connection to appliances, or other appropriate methods accepted by EMSD.

III 、 Cut-out Dimensions

~ Open an installation hole on the worktop of cabinet as per 【illustration 1】 .
(Note : 1 、 The height under the base tray shall reserve more than 100mm and
2 、 * Minimum clearance from glass edges of hob to wall.)

Cut out dimensions(unit/mm) : (W) 265 x (D) 490

【illustration 1】

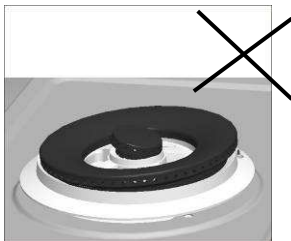


IV 、 Correct Position of Burner Ring, Cap & Trivet

Incorrect position of burner ring, cap and trivet will affect the flame performance , and causing damage of burner ring and glass panel or other accidents.



1) Fit burner ring and cap properly without gap 【illustration 2】 .

【illustration 2】

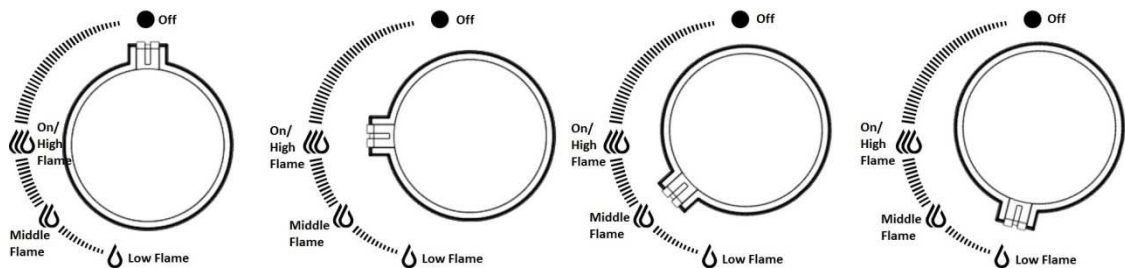


2) Put the trivet onto the drip plate correctly and a design of concave on the drip plate is provided to fit for the trivet.

D 、 Operating Instructions

- 1) While pushing the control knob, turn it to the left (towards the “On” position) slowly until you hear a “Click” sound. Electronic spark will ignite burners. Keep pushing the control knob for several seconds, the safety device will then operate. If you release your hand halfway, electronic spark might not ignite burners.
- 2) If the flame goes out when you release your hand, repeat the ignition procedure again but try release your hand slowly.
- 3) Turn control knob to adjust flame to desirable setting. Flame can be adjusted between 「」 and 「」. Please adjust flame slowly 【illustration 3】.

【illustration 3】



- 4) If the flame is extinguished while using, the safety device will shut the gas off after a short delay. When this happens, please turn the control knob to “Off” position.
- 5) Turn the control knob backwards to the “Off” position to extinguish the burner.

E 、 Replace Battery

When the sound generated from ignition spark becomes deep, or the ignition may light up flame but would be extinguished instantly, please replace the battery. Also, please set battery at correct polarity (“+” and “- ”).

F 、 Daily Maintenance

1) The top panel of this gas hob is made of ceramic glass which is safer than normal glass for this application. However, the following safety precautions for using gas hob with glass panel should also be noted in order to prevent the glass top panel from breaking:

- Clean the burner assembly frequently to maintain a clear gas passage on the flame distributor. Clear and tidy up the flame distributor after spillage of food and liquid once the burner assembly cooled down.
- Turn off the gas hob immediately if abnormal noise propagates from the gas hob and contact gas supply company or gas hob importer for inspection.
- Do not use oversize utensils for cooking. The bottom diameter of the utensil is less than 260 mm and weight is not over 5 kg.
- Do not impact the glass surface with hard objects or place heavy objects on the glass surface

2) Do not clean the gas hob when it is hot.

3) Wipe the glass surface with a damp cloth and mild detergent.

4) Clean the burner with warm water and detergent.

G 、 Product Specification

Model No.	GC-7188
Description	Built-in Gas Hob
Dimensions (mm)	(W)288 x (D) 510 x (H) 50
Safety Device	Yes
Type of Gas	HK Town Gas
Rated Heat Input (kw)	5.5
Gas Working pressure (k Pa)	1.5
Ignition Method	Electric Automatic Ignition
Electric Supply	DC 1.5V (D size x 1)

H · Trouble Shooting

Please check the gas hob according to the follow specifications :

Situation	Reason(s)	Solution(s)
Cannot be ignited	<ol style="list-style-type: none"> 1) Spark electrode is wet, especially in the humid season 2) Main gas valve is close 3) Out of battery 4) Battery is not installed in right position 	<ol style="list-style-type: none"> 1) Dry the electrode with clean tissue or dry cloth 2) Open the main gas valve 3) Replace battery 4) Re-install battery at correct polarity (“+” and “- ”)
No main flame	Gas meter cock and/or appliance isolating cock have been turned off	Open gas meter cock and /or appliance isolating cock completely
Flame cannot be held	Incorrect turning of control knob	Press down and turn the knob anti-clockwise towards “high” until “ticks” are heard. Release only after the stove is lit
Smell of gas	<ol style="list-style-type: none"> 1) Gas pipe is damaged or not connected well 2) Gas valve is leaking 	<ol style="list-style-type: none"> 1) Contact the sole agent or a registered gas installers to replace or re-connect gas pipe 2) Contact the sole agent or a registered gas installers to replace gas valve
Yellow or red flame	Grease and dirt accumulate on burner head	Wash burner head in warm water with detergent. Mop it dry and then place back in correct position
Unstable flame	The burner is not installed properly	Reinstall the burner properly

Warning: If the gas hob cannot be ignited by the above suggested solutions, do not attempt to ignite by other means. Please contact the sole agent for repair.

總代理 : 千中科技有限公司
Sole Agent : Araytron Technology Limited
查詢熱線/Enquiry : + 852 2397 3066 傳真/Fax : + 852 2397 3055
網址/Website : www.garwoods.com.hk