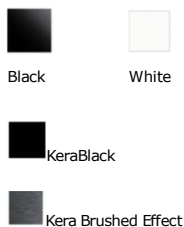




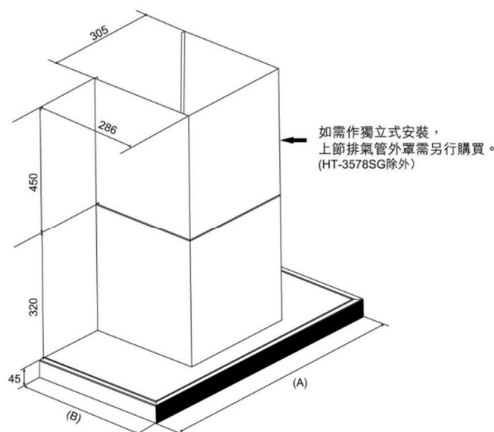
Learn More


**HT-3578SG 750mm Chimney Hood**

Design	<ul style="list-style-type: none"> <li>◦ With depth of 510mm</li> <li>◦ New design of LED lighting</li> </ul>
	<ul style="list-style-type: none"> <li>◦ Stainless steel finishing with glass screen:</li> </ul>
	<ul style="list-style-type: none"> <li>-Black or white utilizes high quality tempered glass</li> </ul>
	<ul style="list-style-type: none"> <li>-KeraBlack or Kera Brushed Effect utilizes EuroKera ceramic glass</li> </ul>
Feature	<ul style="list-style-type: none"> <li>◦ Stylish sensor touch control</li> <li>◦ Full sealed motor</li> <li>◦ Easy to clean detachable metal grease filter and old cup</li> </ul>
	<ul style="list-style-type: none"> <li>◦ Stylish sensor touch control</li> <li>◦ Full sealed motor</li> <li>◦ Easy to clean detachable metal grease filter and old cup</li> </ul>
	<ul style="list-style-type: none"> <li>◦ KeraBlack or Kera Brushed Effect ceramic glass screen are ideal for combining with any glass top with EuroKera ceramic glass &amp; Series 7 Domino</li> </ul>
<b>Technical Information</b>	
Max. Air Flow Rate (m <sup>3</sup> /hr) :	1080
Tube Connection Diameter :	150mm
Rated Power :	13A
Product Dimension (WxDxH) :	750 x 510 x *365 – 815mm (*With telescopic pipe cover)
Installation Method :	Freestand

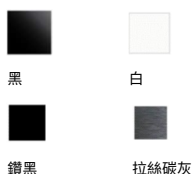
單位 Unit: 毫米 mm

型號	A	B
HT-3578SG	750	510
HT-3670SG	700	360
HT-3678SG	750	360
HT-3698SG	900	360
HT-3870S	700	355





了解更多


**HT-3578SG 750 毫米煙囪式抽油煙機**

設計	<ul style="list-style-type: none"> <li>◦ 510 毫米機身深度</li> <li>◦ LED 燈條照明</li> </ul>
	<ul style="list-style-type: none"> <li>◦ 不銹鋼機身配上玻璃面板</li> </ul>
	<ul style="list-style-type: none"> <li>- 黑/白色採用強化玻璃面板</li> </ul>
	<ul style="list-style-type: none"> <li>- 鑽黑、拉絲碳灰採用法國 EuroKera 優質耐熱陶瓷玻璃面板</li> </ul>
特點	<ul style="list-style-type: none"> <li>◦ 輕觸式感應操控</li> <li>◦ 延遲關機功能</li> <li>◦ 易折式金屬過濾網及油杯</li> <li>◦ 3 段風速選擇</li> </ul>
	<ul style="list-style-type: none"> <li>◦ 密封式鋁摩打</li> </ul>
	<ul style="list-style-type: none"> <li>◦ 鑽黑、拉絲碳灰色法國 Eurokera 優質耐熱陶瓷玻璃面板適用於拼湊任何法國 Eurokera 優質耐熱陶瓷玻璃面板爐具及 Series 7 Domino 系列爐具</li> </ul>
技術資料	
最高排風量(每小時立方米)：	1080
排風口直徑：	150 毫米
額定功率：	13A
產品尺寸(闊 x 深 x 高)：	750 x 510 x *365 - 815 毫米 (*配伸縮式排氣管外罩)
安裝方法：	獨立式

單位 Unit: 毫米 mm

型號	A	B
HT-3578SG	750	510
HT-3670SG	700	360
HT-3678SG	750	360
HT-3698SG	900	360
HT-3870S	700	355

